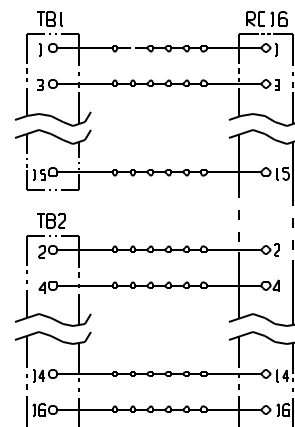
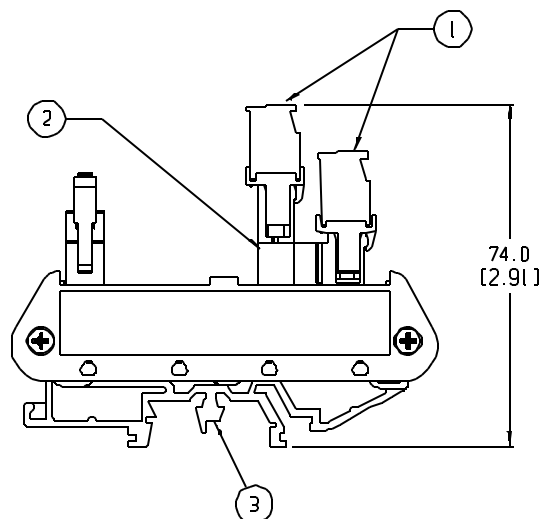


16 POSITION SHOWN



TYPICAL SCHEMATIC (16 POSITION SHOWN)

NO. OF CIRCUITS	DIM. "A"	MATERIAL NUMBER
14	50.8 [2.00]	39170-1114
16	53.3 [2.10]	39170-1116
20	61.0 [2.40]	39170-1120
26	76.2 [3.00]	39170-1126
34	95.0 [3.74]	39170-1134
40	111.5 [4.39]	39170-1140
50	135.6 [5.34]	39170-1150

- NOTES:
1. MATERIAL: SEE TABLE
  2. FINISHES: SEE TABLE
  3. PRODUCT SPECIFICATION: NOT REQUIRED
  4. PACKAGING: NOT REQUIRED
  5. MATES WITH: RIBBON CABLE

ITEM	QTY.	DESCRIPTION	MATERIAL	FINISH
3	2	DIN RAIL ADAPTOR UNIT	THERMOPLASTIC	BLACK
2	1	RIBBON CABLE TO 5.08 HEADER, PC BOARD ASSY.	-	-
1	2	5.08 PLUGGABLE BTS	SEE SD-39860-004	BLACK

RELEASED CLY EE NO. DRAWN: CHK: APPR: REV	DESCRIPTION MAJOR CRITICAL SPC S	GENERAL TOLERANCES (UNLESS SPECIFIED) mm INCH 4 PLACES ±.038 ±.0015 3 PLACES ±.038 ±.005 2 PLACES ±.13 ±.01 1 PLACE ±.3 ANGULAR: ±2° DRAFT WHERE APPLICABLE MUST REMAIN WITHIN DIMENSIONS		SCALE: 1:1 DRAWN BY & DATE: C. YORK 11-10-04 CHECKED BY & DATE: APPROVED BY & DATE:	DESIGN UNITS: <input type="checkbox"/> mm <input checked="" type="checkbox"/> INCH THIRD ANGLE PROJECTION: <input checked="" type="checkbox"/> THIRD ANGLE <input type="checkbox"/> FIRST ANGLE DIMENSIONS: <input checked="" type="checkbox"/> DIM. INCH <input type="checkbox"/> INCH FIT <input type="checkbox"/> DIM ONLY REVISE ON CAD ONLY	TITLE: DIN RAIL INTERFACE MODULE, RIBBON CABLE TO 5.08 VERTICAL EUROSTYLE PLUG MOLEX INCORPORATED MATERIAL NO. SEE CHART DRAWING NO. SD-39170-006 SHEET NO. 1 OF 1 SIZE B
		CAD FILENAME: SD-39170-006 THIS DRAWING CONTAINS INFORMATION THAT IS PROPRIETARY TO MOLEX (INCORPORATED) AND SHOULD NOT BE USED WITHOUT WRITTEN PERMISSION.				